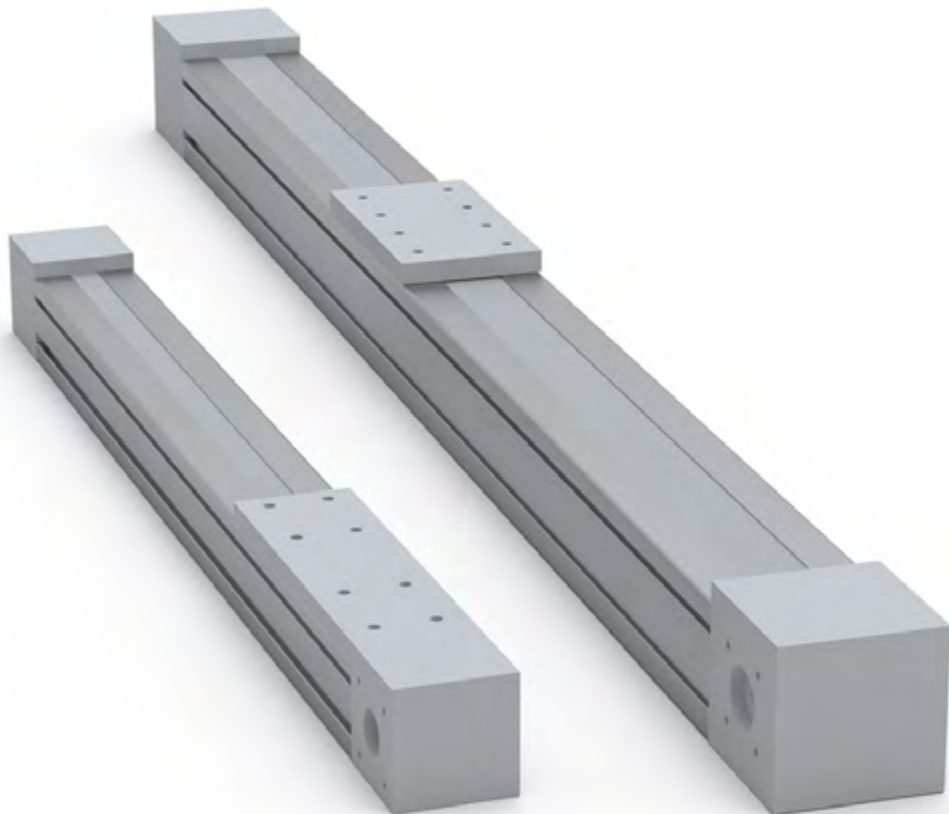


TECHNICAL INFORMATION

LINEAR UNIT RHL



Information in this document is subject to change. Owing to continued product development, Rollco reserves the right to make alterations without prior notice. Every care has been taken to ensure the accuracy of the information, but no liability can be accepted for any errors or omissions.

All information and content included in this document, such as text, and images, are property of Rollco. Any reproduction, even partial, is allowed only by written permission by Rollco.

Product overview

RHL is a complete linear unit with rail guide and toothed belt. The unit is delivered ready to mount and thereby saves both design and assembly time.

Linear Unit RHL is available in two sizes, RHL80 and RHL110. The units are based on aluminium profile and equipped with with linear rail, belt and pulleys. The stroke length is selectable per millimetre from 0 up to 10 metres.

We cut and assemble everything in our own workshop, which enables very short delivery times. We have various accessories such as T-slots, angles and mounting plates in stock. We can also manufacture motor flanges and make other adjustments according to customer specifications.

Characteristics

- Compact unit
- Compatible with structural systems
- Possible to use in X-Y-Z systems
- Customized versions available upon request



Lubrication

The RHL system is equipped with a lubrication system. This keeps the grease inside the blocks and reduces the need for relubrication.

As an option, the bearing blocks inside RHL can be equipped with long life lubrication system. This option has in tests shown life times up to 32 000 km at low loads without any relubrication.

Please contact Rollco for more information.

Service and maintenance

The unit is delivered ready to use, lubricated with grease of NLGI 1,5 class.

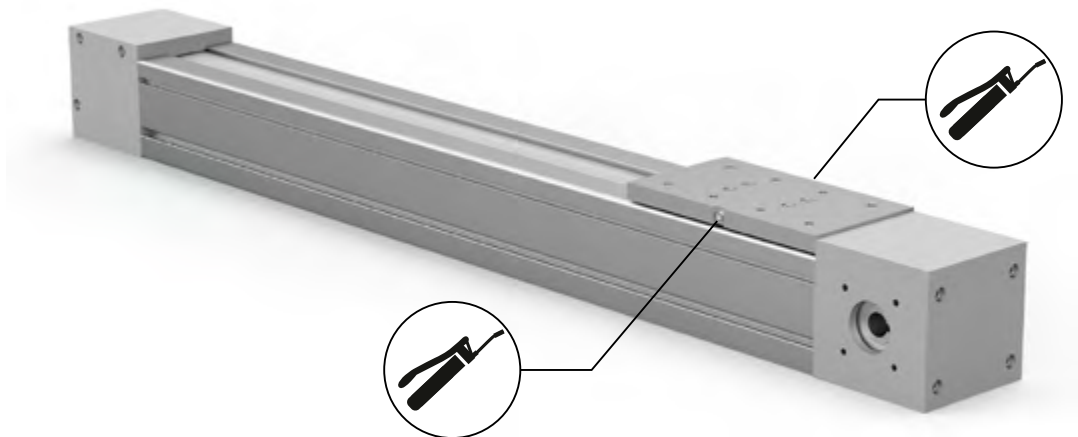
The lubrication intervals are every 500 operating hours or after the specified travel path of 5000 km.

When re-lubrication is required, use a similar grease, most mineral oil-based grease using lithium thickener and having an NLGI 1,5 to 2 consistence will work fine.

The belt wheel bearings are sealed and are not possible to re-lubricate. They have an expected grease life of 5 years.

Inspect the belt at regular intervals for damage. In the event of damage, plan a replacement of the belt.

For demanding operational conditions, please consult Rollco Technical support.



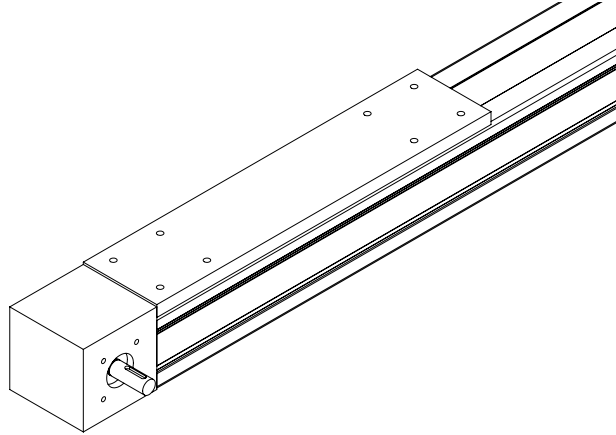
Please note that depending on model/type there can be one or two grease nipples per slider.

Instructions

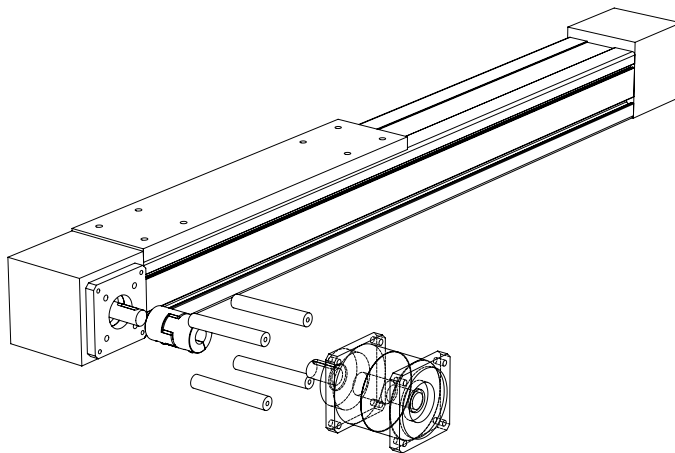
- Pump in a single stroke of grease in each grease nipple with a pointy nozzle.

Drive shafts and drive adapters

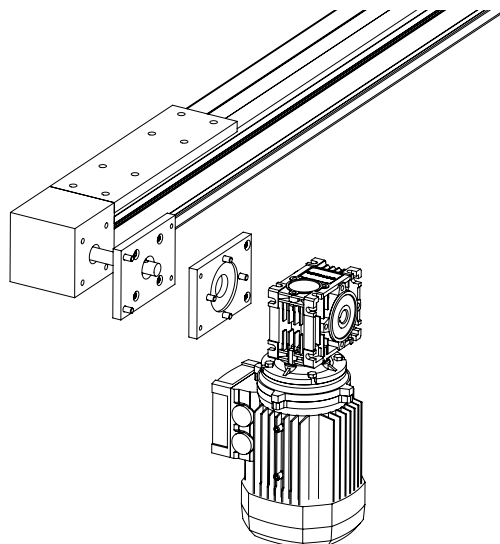
RHL are as standard with hollow shafts. We can supply solid shafts for mounting in the hollow shafts.



On request, we also make adapter flanges, closed or open style, with suitable shaft coupling. We need to know your motor or gear dimensions.



We can also put on a planetary gearbox from Wittenstein with or w/o asynchronous motor.



Linear Unit RHL

RHL80 - V250 - 1700 - H14 - R - MF - SD

Unit type

RHL80
RHL110

Sliders

V100 (RHL80)
V250 (RHL80)
V500 (RHL80)
V200 (RHL110)
V500 (RHL110)

Stroke

Drive Hollow Shaft with Keyway or Spline Pulley

Ø 12 H7 (RHL80)
Ø 14 H7 (RHL80)
Ø 16 H7 (RHL80)
Ø 16 H7 (RHL110)
Ø 19 H7 (RHL110)

Surface Treatment

R = Raydent coated rail and blocks
(Leave empty if not applicable)

Lubrication

MF = MF Long life lubrication
DF = DF Dust proof seal
(Leave empty if not applicable)

Synchronized Drive

SD = Drive unit synchronized (two units)
(Leave empty if not applicable)

Note: T-slot, Angle Bracket and Sensors must be ordered separately.

**ALWAYS THE RIGHT
SOLUTION AT THE RIGHT TIME.**

ROLLCO

LINEAR SOLUTIONS **YOUR WAY**

With reliability, competence and commitment Rollco rapidly delivers the right solutions and components to create safe and cost-effective automation and linear movement.

Rollco AB

Box 22234
Ekvändan 3
250 24 Helsingborg
Sweden
Tel. +46 42 15 00 40
www.rollco.se

Rollco A/S

Skomagervej 13 E
7100 Vejle
Denmark
Tel. +45 75 52 26 66
www.rollco.dk

Rollco Oy

Sarankulmankatu 12
33900 Tampere
Finland
Tel. +358 207 57 97 90
www.rollco.fi

Rollco Norge AS

Industrigata 6
3414 Lierstrada
Norway
Tel. +47 32 84 00 34
www.rollco.no

Rollco Taiwan

No. 28, Lane 125, Da-an Road
Shulin District 238
New Taipei City, Taiwan
Tel. +886-2-8687-2726
Fax +886-2-8687-2720
www.rollco-tw.com